


6. Connect the white neutral wire from the switch housing to the white neutral wire of the light fixture (Figure 4). Connect the blue line (hot) wire from the switch housing to the black line (hot) wire of the light fixture. Use listed wire connectors (previously removed in step 5) to make connections (Figure 4 and 5). The neutral and line (hot) wires must be installed as instructed to maintain proper polarity at the lampholders.

▲ WARNING



To avoid possible fire or electrical shock, make certain no bare wire strands are exposed outside wire connectors.

Figure 5

7. Carefully tuck all wires and splices into the switch housing(1).
8. Attach the cover/light fitter(5)(6) to the switch assembly housing(1) using the two screws(2) that were removed in Step 2) (Figure 4.)

▲ WARNING

To avoid fire or electrical shock, be careful not to pinch wires between the switch housing assembly and the cover.

9. Proceed to "Installation of Glass Bowl" section.

Installation of Glass Bowl

▲ WARNING

To avoid fire hazard, do not exceed wattage indicated on the fixture.

NOTE: Some light kit models provide a hole in the glass bowl for the fan switch chain. While other light kit models provide a bowl cap including a hole for the fan switch chain and light switch chain.

▲ WARNING

Over lamping the light kit will result in the lamps being automatically shut off. Use only 60-watt maximum candelabra lamps. Turn off electricity before replacing the lamps.

1. Install three 60-watt (maximum) candelabra base bulbs into the fitter sockets.
2. Depending on the model purchased, insert the fan speed control switch chain through the offset hole in the glass bowl or the hole in the bowl cap.
3. Install the light switch chain through the center of the finial nut. Screw the finial nut finger tight onto the fitters threaded nipple.

CAUTION

Be sure that the fan switch chain does not make contact with the light bulbs. If necessary reposition the light fitter to avoid the fan switch chain from touching the light bulbs.

4. Install pendants onto light fixture chain and fan switch chain.
- NOTE: It is advisable to periodically check the tightness of the finial.**
5. Installation is complete. Turn on electricity at main fuse or circuit breaker box.

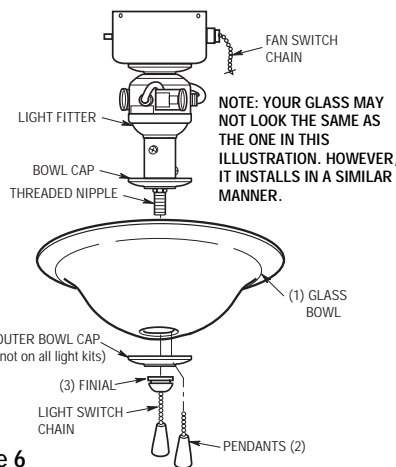


Figure 6

**For repair parts, phone:
1-800-654-3545**

READ AND SAVE THESE INSTRUCTIONS

THIS OWNER'S MANUAL COVERS EMERSON LIGHT KITS

USE THESE FIXTURES ONLY WITH EMERSON CF SERIES CEILING FANS.

**NOTE: ANY LIGHT KIT OR FITTER AND GLASS COMBINATION
COVERED BY THIS MANUAL WEIGHS 5.8 LBS. OR LESS.**

EMERSON Ceiling Fan Light Fixture Owner's Manual

LIMITED WARRANTY

What The Warranty Covers:

All products covered by this Owner's Manual are warranted against all defects in workmanship and materials. You must be the original purchaser or user of the product to be covered.

What The Period Of Coverage Is:

All components are covered by this warranty for one year from the date you purchased your light fixture. ANY IMPLIED WARRANTY OF MERCHANTABILITY OR FITNESS FOR A PARTICULAR PURPOSE, MADE WITH RESPECT TO COMPONENTS AND ACCESSORIES IS ALSO LIMITED TO ONE YEAR.

What Will Emerson Electric Co. Do To Correct Problems:

Emerson Electric Co. will replace a defective Emerson Light Fixture at no charge to you. **WE WILL SHIP THE REPAIRED PRODUCT OR REPLACEMENT TO YOU AT NO CHARGE, BUT YOU ARE RESPONSIBLE FOR ALL COSTS OF REMOVAL, REINSTALLATION AND SHIPPING OF THE PRODUCT TO EMERSON.**

How Can You Get Service:

YOU MUST HAVE PROOF OF YOUR PURCHASE OF THE LIGHT FIXTURE TO OBTAIN LIMITED WARRANTY SERVICE. KEEP YOUR RECEIPT OR OTHER PROOF OF PURCHASE. You can return the product to our factory or to your nearest authorized service center.

- To return the product to the factory, obtain a return authorization and service identification tag by writing to Air Comfort Products, Division of Emerson Electric Co., 8100 W. Florissant Ave., St. Louis, MO 63136. Include all model numbers shown on the product with your request.
- To return the product to an authorized service center, call 1-800-654-3545 for the address of the nearest authorized service center.

You will be responsible for all insurance, freight or other transportation charges to our factory or authorized service center. Your Emerson Light Fixture should be properly packed to avoid damage in transit since we will not be responsible for any such damage.

What Is Not Covered:

This warranty also does not cover any defects, malfunctions or failures caused by:

- Repairs by persons not authorized by Emerson Electric Co.,
- Use of parts or accessories not authorized by Emerson Electric Co.,
- Mishandling, improper installation, modifications or damage to your light fixture while in your possession, or
- Unreasonable use, misuse, abuse, including failing to do reasonable and necessary maintenance, and normal wear and tear.

Additionally, this warranty and any implied warranty of merchantability or fitness for a particular purpose are voided when:

- The original purchaser or user ceases to own the product, or
- The ceiling fan is moved from its original point of installation.

This warranty is only valid within the 50 states of the United States and the District of Columbia. No other written or oral warranties apply, and no employee, agent, dealer or other person is authorized to give any warranties on behalf of Emerson Electric Co.

REPAIR, REPLACEMENT OR A REFUND ARE THE EXCLUSIVE REMEDIES AVAILABLE UNDER THIS WARRANTY AND EMERSON IS NOT RESPONSIBLE FOR DAMAGES OF ANY KIND, INCLUDING INCIDENTAL AND CONSEQUENTIAL DAMAGES. Incidental damages include but are not limited to such damages as loss of time and loss of use. Consequential damages include but are not limited to the cost of repairing or replacing other property which was damaged if this product does not work properly.

How State Law Relates To The Warranty:

Some states do not allow the exclusion or limitation of incidental or consequential damages so the above exclusion or limitation may not apply to you. This warranty gives you specific legal rights, and you may also have other rights which vary from state to state.

⚠ WARNING

Safety Instructions

To avoid fire, shock, and serious personal injury, follow all instructions carefully.

1. Read your Owner's Manual carefully before installing the light fixture. Retain Owner's Manual for future reference.
2. Be careful of the fan and blades when cleaning, painting, or working near the fan. Before installing or servicing the light fixture or ceiling fan, switch power off at service panel and lock service panel disconnecting means to prevent power from being switched on accidentally. When the service disconnecting means cannot be locked, securely fasten a warning device, such as a tag, to the service panel.
3. Do not exceed the wattage indicated on fixture.

ADDITIONAL SAFETY INSTRUCTIONS FOR INSTALLATION

1. To avoid possible electrical shock be sure electricity is turned off at the main fuse or circuit breaker box before wiring.
2. Make certain no bare wires are exposed outside the wire connectors.
3. All wiring must conform to national and local electrical codes.
4. Follow the recommended instructions for the proper method of wiring your new light fixture. If you feel you do not have enough electrical wiring knowledge or experience, have your light fixture installed by a licensed electrician. Any electrical work not described in this manual should be performed by a licensed electrician.

WARNING: To reduce the risk of possible fire and electrical shock, install only on Emerson CF Series Ceiling Fans in indoor locations. This light kit is not to be installed on Emerson Ceiling Fans located in damp or wet locations.

Assembly and Installation

⚠ WARNING

Do not install or use the light fixture if any part is missing or damaged. Call toll-free:

1-800-654-3545

⚠ WARNING

To avoid possible electrical shock, be sure electricity is turned off at the main fuse or circuit breaker box before wiring.

Installation on Emerson Fans Having a Modular Switch Cup with Center Screw

1. Remove all parts and parts packages from the carton.
2. Remove the switch cup(1) from the cover plate(2) by removing the three screws(3) around the side of the switch cup (Figure 1).
3. Disconnect the motor connector(4) from the switch cup connector(5) (Figure 1).

4. Remove the center screw(6) from the switch cup (Figure 1).
5. Carefully locate the white and blue wires (labeled either "L" or "LIGHT") in the switch cup and remove the wire connectors from the wires.
6. Insert the black and white wires from the light fitter(7) through the center hole in the switch cup (Figure 2) and thread the switch cup onto the light fitter. Hold wires taut while installing switch cup to prevent the wires from twisting.

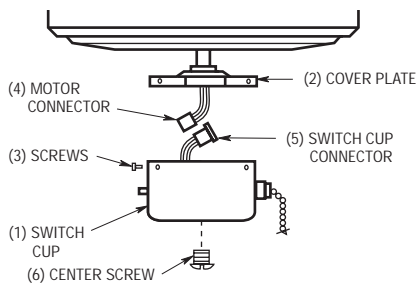


Figure 1

7. Insert the black and white wires through the lockwasher(8) and hex nut(9) supplied. Firmly tighten the hex nut to secure the light kit fitter to the switch cup.
8. Connect the white neutral wire from the switch housing to the white neutral wire of the light fixture (Figure 2). Connect the blue line (hot) wire from the switch housing to the black line (hot) wire of the light fixture. Use listed wire connectors (previously removed in step 5) to make connections (Figures 2 and 3). The neutral and line (hot) wires must be installed as instructed to maintain proper polarity at the lampholders.

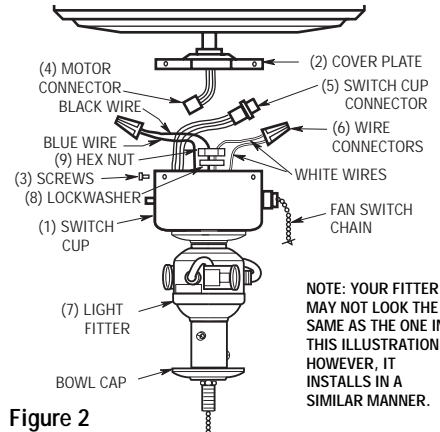


Figure 2

⚠ WARNING

To avoid possible fire or electrical shock, make certain no bare wire strands are exposed outside wire connectors.

Figure 3

9. Carefully tuck all wires and splices into the switch cup(1). (Figure 2.)
10. Connect the motor connector(4) to the switch cup connector(5).
11. Position the switch cup(1) and fitter assembly(7) on the cover plate(2) and install the three screws(3) that were previously removed in Step 2 and tighten securely.

⚠ WARNING

To avoid possible fire or electric shock, be careful not to pinch wires between switch cup and the cover plate.

12. Proceed to "Installation of Glass Bowl" section.

Installation on Emerson Fans Having Two-Piece Die-Cast Switch Housings

1. Remove all parts and parts packages from carton.

⚠ WARNING

To avoid possible electric shock, be sure electricity is turned off at the main fuse or circuit breaker box before wiring.

2. Remove the cover(5) from the fan switch housing(1) by removing the two outer screws(2). (See Figure 4).

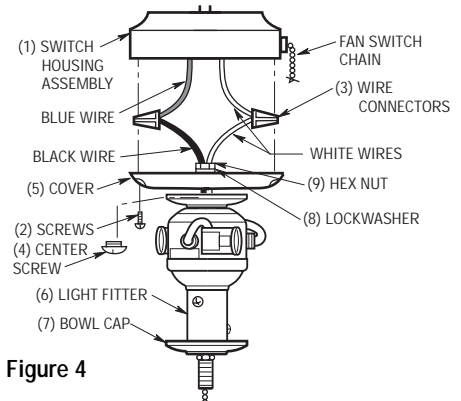


Figure 4

3. Remove the center screw(4) from the cover(5). Insert the black and white wires from the light kit fitter(6) thru the hole and thread the switch housing cover tightly onto the light kit fitter.
4. Insert the black and white wires through the lockwasher(8) and hex nut(9) supplied. Firmly tighten the hex nut to secure the light kit fitter to the switch housing cover(5).
5. Carefully locate the white and blue wires (labeled either "L" or "LIGHT") in the switch housing and remove the wire connectors(3) from the wires.